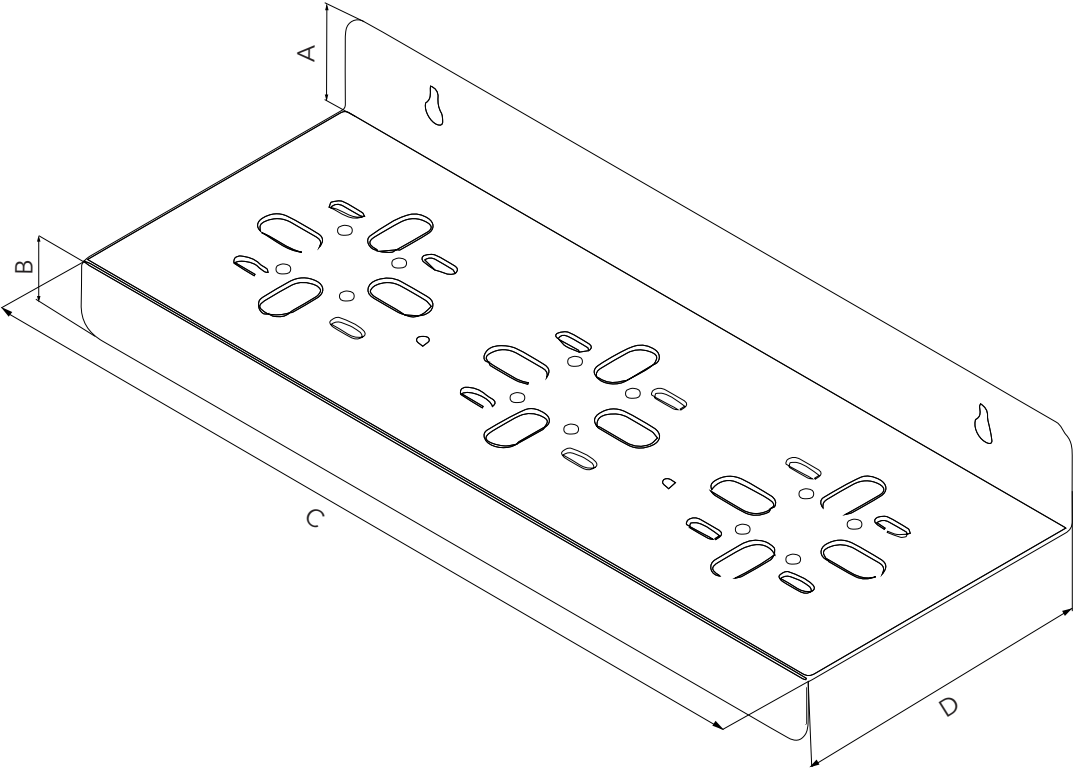
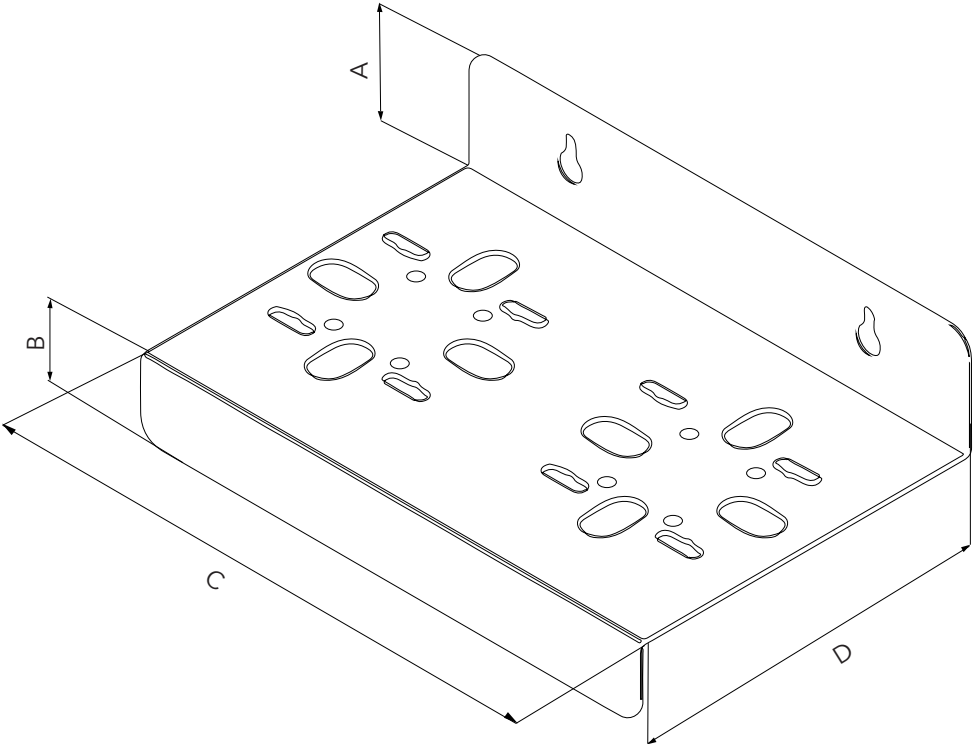


ECONOMIC FILTER HOUSING BRACKETS
EFH-BK-2-20/ EFH-BK-3-20



Overall Dimensions mm					
Part Number	Description	A	B	C	D
EFH-BK-2-20	Double Bracket Regular 20" Housing	51	35	244	162
EFH-BK-3-20	Triple Bracket Regular 20" Housing	51	35	440	162

All dimensions are approximate in mm.