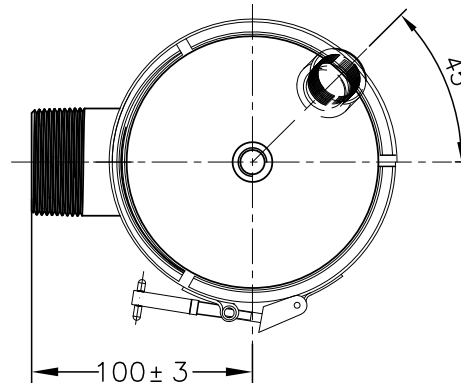
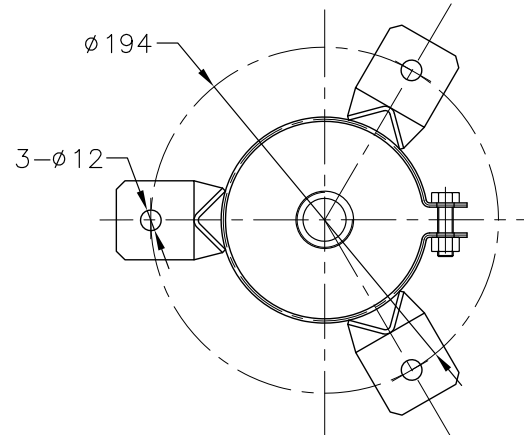
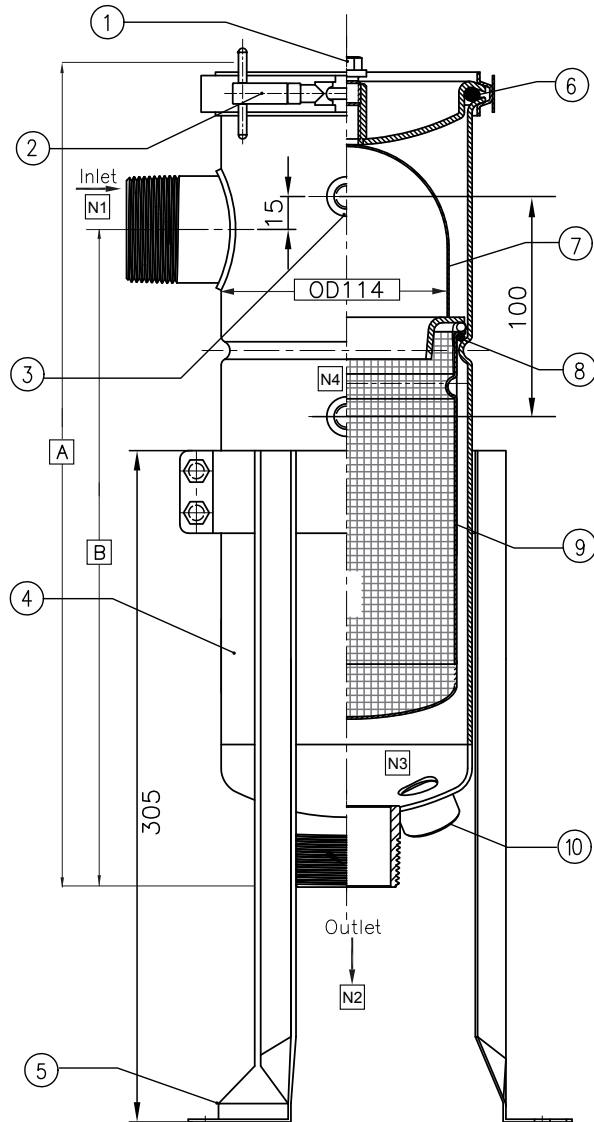


INOX STANDARD SINGLE ROUND SIZE 3 & 4 BAG HOUSING SBH-SPC



Product Code	Nominal Dimension in mm	
	A	B
SBH-SPC-1-3-1.5-GP-ML	370	299
SBH-SPC-1-4-1.5-GP-ML	525	454

Components					
No.	Name	Material	No.	Name	Material
1	Vent	316L SS	6	Lid O-ring	BUNA-N
2	V-band Clamp	304 SS	7	Bag Hold Down	316L SS
3	Gauge Port	316L SS	8	Basket O-ring	BUNA-N
4	Shell	316L SS	9	Basket	316L SS
5	Legs	304 SS	10	Drain	316L SS

Port Details					
No.	Type	Size	No.	Type	Size
N1	Inlet	1.5" BSPM	N3	Vent	¼" BSPF
N2	Outlet	1.5" BSPM	N4	Gauge Port	¼" BSPF

Technical Information	Maximum Operating Temperature	120°C
	<ul style="list-style-type: none"> All dimensions are approximate in mm. DWI listed 	Design Pressure